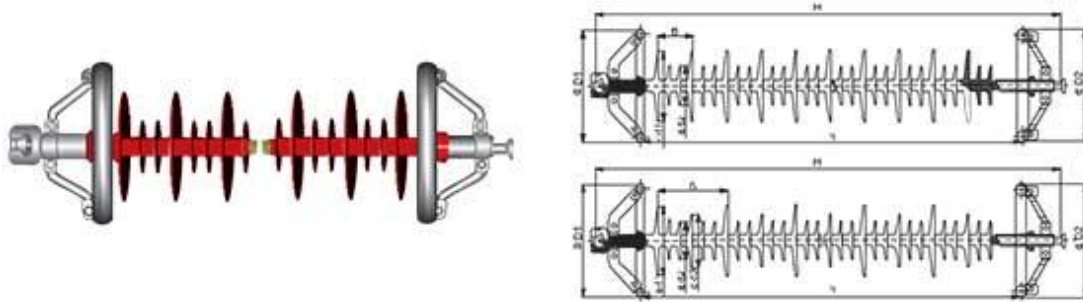


500kV 棒形悬式复合绝缘子 500kV Composite Long Rod Suspension Type Insulator



500kV 棒形悬式复合绝缘子示意图
500kV Composite Long Rod Suspension Type Insulator Schematic Diagram

500kV 棒形悬式复合绝缘子主要尺寸与特性

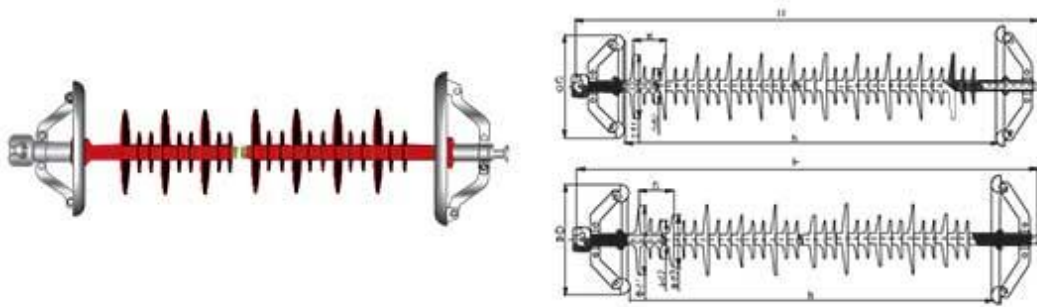
Main Dimensions and Characteristics of 500kV Composite Long Rod Suspension Type Insulator

Serial Number 序号	Type of Insulator 绝缘子型号	Specified Voltage 额定电压	Specified Mechanical Tensile Load 额定机械负荷	Connection Structure Mark 机械连接标记	Section Length 绝缘长度	Max. Arcing Distance 最大电弧距离	Big shed Diameter 大伞直径	Diameter of Grading Ring 伞裙内直径	Diameter of Grading Ring 伞裙外直径	Min nominal Creepage distance 最小公称爬电距离	Lightning Impulse Withstand Voltage (Peak value) 雷电冲击耐受电压(峰值)	Operating Impulse Withstand Voltage (Peak) 操作冲击耐受电压(峰值)	Power Frequency Withstand Voltage Min. Vol(RMS) 工频(不含耐受电压曲线)有效值	Reference Weight 参考重量
		kV	kN		H mm	h mm	d1 mm	D1 mm	D2 mm	L mm	≥ kV	≥ kV	≥ kV	kg
1	FXBW-500/(120/100)	500	120/100	16	4450±50	4000	171	350/370/400	370/400	14400	2250	1240	740	30
2	FXBW-500/(240/210/180/160)	500	240/210/180/160	20	4450±50	4000	174	350/370/400	370/400	14300	2250	1240	740	31
3	FXBW-500/300	500	300	24	4450±50	4000	174	350/370/400	370/400	14000	2250	1240	740	32
4	FXBW-500/(420/400)	500	420/400	28	4450±50	4000	180	350/370/400	370/400	14000	2250	1240	740	33
5	FXBW-500/(550/530)	500	550/530	32	4450±50	4000	218	350/370/400	370/400	14000	2250	1240	740	34

说明：产品的尺寸、特性、连接方式和伞裙颜色等可按照客户具体要求设计、生产

Note: Product's dimension, characteristics, connecting type, shed color, etc can be designed and manufactured in accordance with customer's requirements.

330kV 棒形悬式复合绝缘子 330kV Composite Long Rod Suspension Type Insulator



330kV 棒形复合绝缘子示意图
330kV Composite Long Rod Suspension Type Insulator Schematic Diagram

330kV 棒形复合绝缘子主要尺寸与特性

Main Dimensions and Characteristics of 330kV Composite Long Rod Suspension Type Insulator

序号 Serial Number	绝缘子型号 Type of Insulator	额定电压 Specified Voltage	额定机械负荷 Specified Mechanical Tensile Load	连接结构代号 Connection Structure Mark	结构高度 Section Length	最小电弧距离 M.C. Arcing Distance	大伞直径 Big Shed Diameter	均压环直径 Diameter of Grading Ring	最小公称爬电距离 Min Nominal Creepage Distance	雷电冲击耐受电压 Lightning Impulse Withstand Voltage (Peak Value)	操作冲击耐受电压 Operating Impulse Withstand Voltage (Peak Value)	工频耐受电压 Power Frequency Withstand Voltage (1/1min, Wet (FMS))	参考重量 Reference Weight
		kV	kN		H mm	h mm	d1 mm	D mm	L mm	≥ kV	≥ kV	≥ kV	kg
1	FXBW-330(120/100/70)	330	120/100/70	16	2990±40	2600	162	305/350	9400	1425	950	570	19
2	FXBW-330(240/210/180/160)	330	240/210/180/160	20	2990±40	2600	171	305/350	9200	1425	950	570	20
3	FXBW-330/300	330	300	24	2990±40	2600	174	305/350	9075	1425	950	570	21
4	FXBW-330(420/400)	330	420/400	28	3145±40	2600	180	305/350	9075	1425	950	570	24
5	FXBW-330(550/530)	330	550/530	32	3145±40	2600	216	305/350	9075	1425	950	570	25

说明：产品的尺寸、特性、连接方式和伞裙颜色等可按照客户具体要求设计、生产
Note: Product's dimension, characteristics, connecting type, shed color, etc can be designed and manufactured in accordance with customer's requirements.